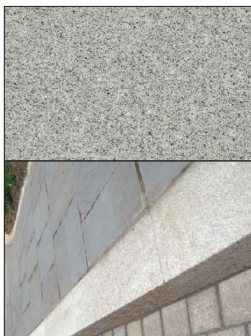


SHEET 4 - MATERIALS PALLETTE



KERBING

- Marshalls granite style.
- Silver Grey colour



YORKSTONE PAVING

- Marshalls Scoutmoor.
- Varying sized slabs to provide an enhanced aesthetic look.
- Designed to take occasional traffic.



TACTILE PAVING
(for pedestrian crossing locations)

- Marshalls concrete blister (tactile) paving.
- Textured surface option.
- Finished in 'natural' to provide some contrast with the Yorkstone but still be sympathetic to the character of the area.



SETTS


- Marshalls granite style.
- Silver Grey colour.



BOLLARD


- Black cast iron style.
- The image above is indicative only.
- The actual style will be matched to those at the junction with Station Road as best possible ('Dorking bollard')

Glassstone




Any Fixtures
Glassstone
- Available in a variety of sizes and finishes
- Available in a variety of sizes and finishes
- Available in a variety of sizes and finishes
- Any Fixtures

10m Scroll Bracket




Any Fixtures
10m Scroll Bracket
- Available in a variety of sizes and finishes
- Available in a variety of sizes and finishes
- Available in a variety of sizes and finishes
- Any Fixtures

Gainsborough Embellishment Kit



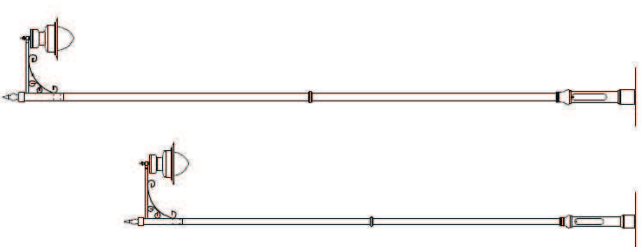
Marshalls Cast Iron
Gainsborough Embellishment Kit
- Available in a variety of sizes and finishes
- Available in a variety of sizes and finishes
- Available in a variety of sizes and finishes
- Any Fixtures

10m Columns





Available in Black or Green
Additional Costs may be specified for the items detailed below:
• Heavy Duty Columns showing the attachment of Hanging Baskets, Banners & Festive Decorations
• Festive Lighting Supplies

10m Equipment Setup



Medium Gladstone Lantern
1m Outreash Multi Scroll Bracket
0114 x 0188 Gainsborough Embellishment Kit
10m Equipment Setup
Large Gladstone Lantern
1m Outreash Multi Scroll Bracket
0140x 0164 Gainsborough Embellishment Kit

| Rev. | Description | Drawn | Sign. | Date | Chkd | Sign. | Date | Appr. | Sign. | Date | North Point |
|---|------------------|-------|-------|----------|------|-------|------|-------|-------|------|--|
| A | Issue for tender | JPS | JPS | 13/12/20 | - | - | - | - | - | - |  |
| B | Issue for tender | JPS | JPS | 13/12/20 | - | - | - | - | - | - | |
| C | Issue for tender | JPS | JPS | 22/12/20 | - | - | - | - | - | - | |
| - | - | - | - | - | - | - | - | - | - | - |  |
| - | - | - | - | - | - | - | - | - | - | - | |
| - | - | - | - | - | - | - | - | - | - | - | |
| <p>Scale: 1:100 0 50 100 150 200 North</p> | | | | | | | | | | | <p>Named upon the electronic tender meeting with the Institution of the County of Surrey, Surrey County Council, 15 West Street, Dorking, Surrey GU10 1AT, Surrey, UK 01306 330000 01306 330001 01306 330002</p> |
| <p>Drawn by: JPS Checked by: JPS Approved by: JPS</p> | | | | | | | | | | | |
| <p>Project No: PC0324 Contract No: PC0324_06 Drawing No: PC0324_06 Revision No: 06 Date: 13/12/20</p> | | | | | | | | | | | |

SURREY COUNTY COUNCIL
 Dorking, Surrey, UK
 GU10 1AT

Project No: PC0324
 Contract No: PC0324_06
 Drawing No: PC0324_06
 Revision No: 06
 Date: 13/12/20

PEDESTRIAN ENHANCEMENTS
 WEST STREET DORKING
 SHEET 4 - MATERIALS PALLETTE

SHEET 4 OF 4

This page is intentionally left blank